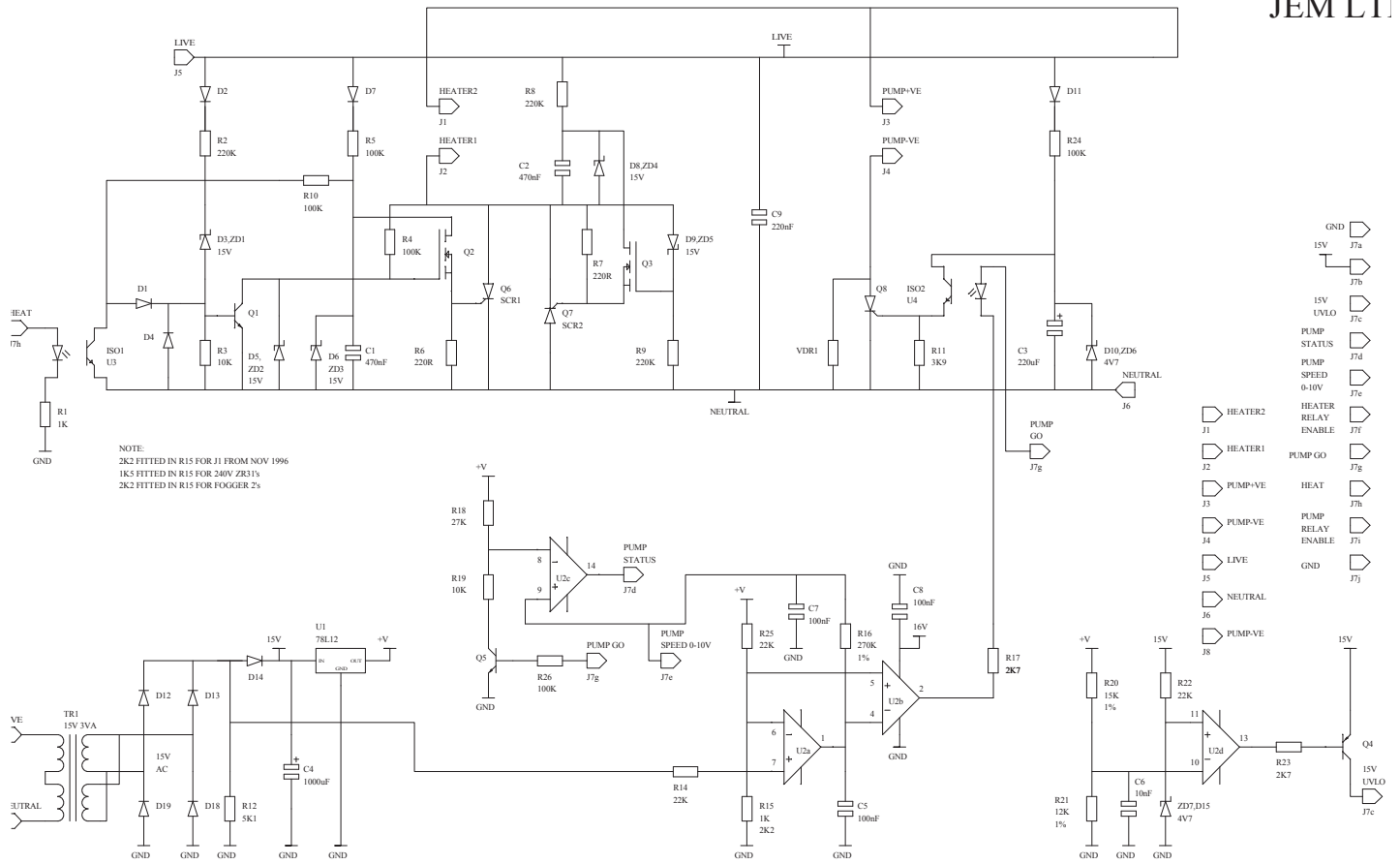


JEM LT1

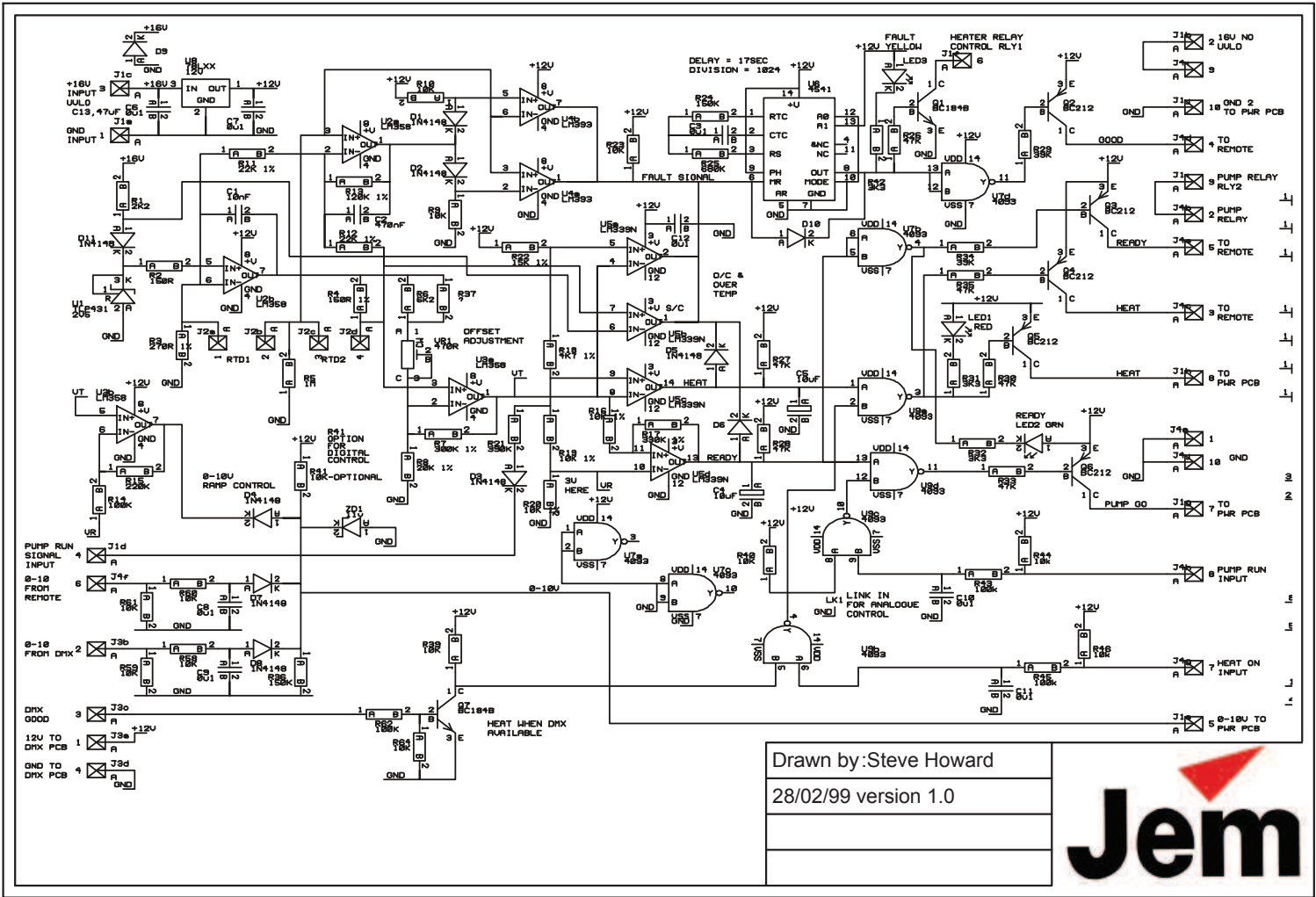


- GND J7a
- 15V J7b
- 15V UNLDO J7c
- PUMP STATUS J7d
- PUMP SPEED 0-10V J7e
- HEATER RELAY ENABLE J7f
- PUMP GO J7g
- HEAT J7h
- PUMP RELAY ENABLE J7i
- LIVE J7j
- GND J7k
- HEATER2 J1
- HEATER1 J2
- PUMP+VE J3
- PUMP-VE J4
- LIVE J5
- NEUTRAL J6
- PUMP-VE J8
- HEATER RELAY ENABLE J7f
- PUMP GO J7g
- HEAT J7h
- PUMP RELAY ENABLE J7i
- LIVE J7j
- GND J7k

DRAWN BY: CPW

DATE: 1,11,1996 TITLE: POWER CONTROL BOARD - JEM VERSION

DWG No. CPW039REV.



Drawn by: Steve Howard
 28/02/99 version 1.0

